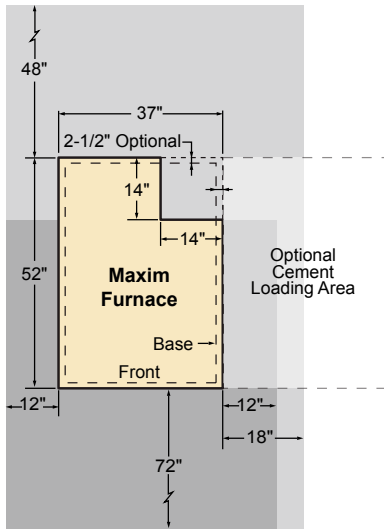
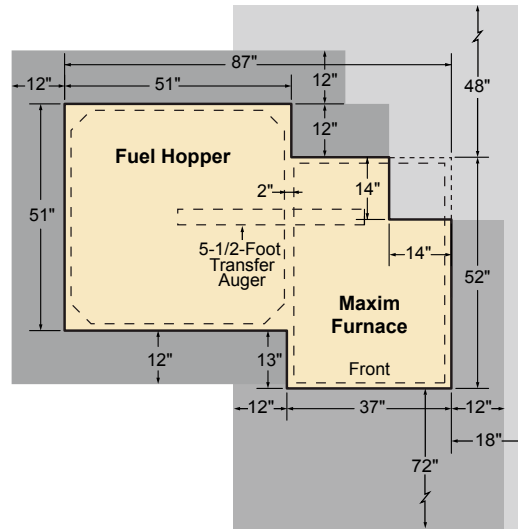


Maxim M255 Furnace and Foundation Base Dimensions

*Optional Foundation
Shown without optional hopper.*



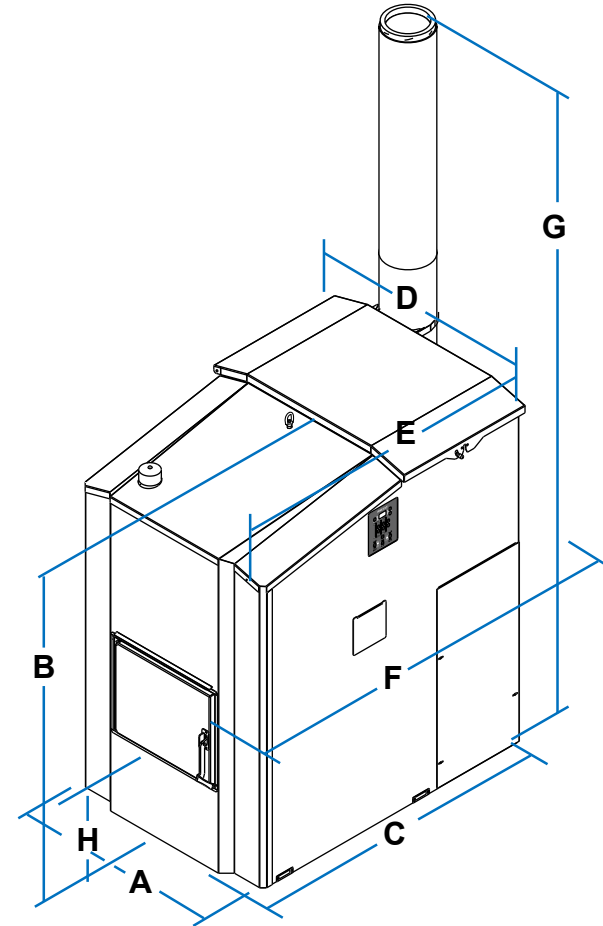
*Optional 2,440 lb
Hopper with Foundation*



Foundations dimensions are 1-1/2 in. beyond the outside perimeter of the base.

- Recommended maintenance clearances
- 2" rigid foam insulation (optional)

CAUTION
Do not use any combustible materials for the foundation.



NOTE

Furnace must be installed on a noncombustible surface or foundation that incorporates an enclosure that will prevent supply and return lines from possible exposure to sunlight, fire, or physical damage that may be caused by an occurrence outside the furnace enclosure.

Maxim M255 Measurements

	A	B	C	D	E	F	G	H
in.	34	57	49.5	36	48	59.5*	117.5**	14.5
cm	86	145	126	91.5	122	151*	298.5**	37

* Measurement (F) is from firebox door to chimney inspection cover.

** Measurement (G) includes two 4 ft. chimney sections.

