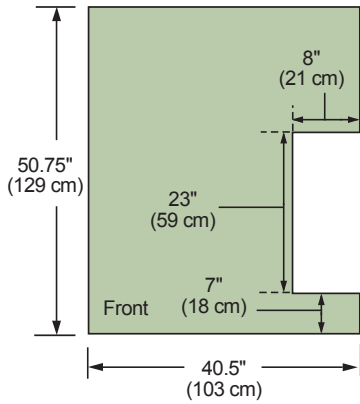
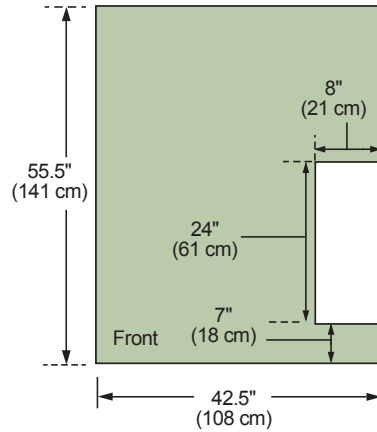


# Classic Edge Furnace Base and Dimensions

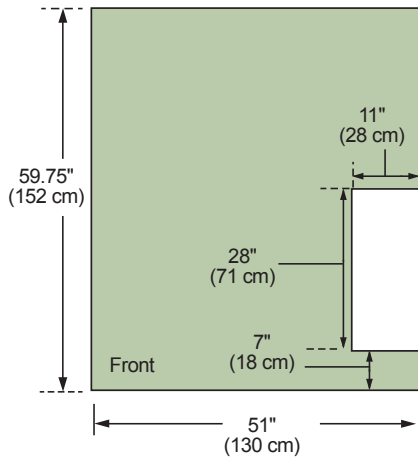
**Classic Edge 360**  
(Foundation Optional)



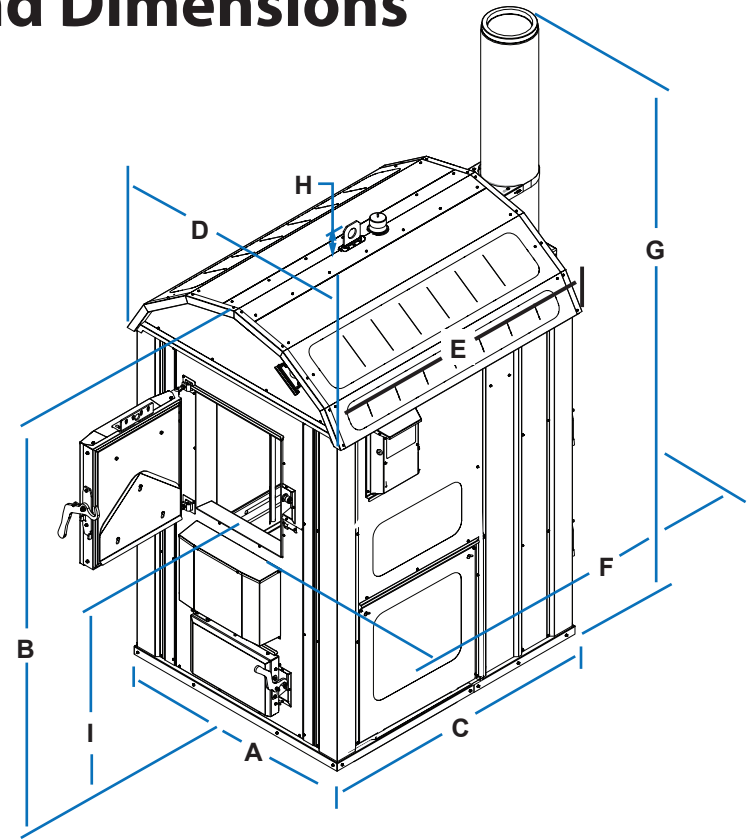
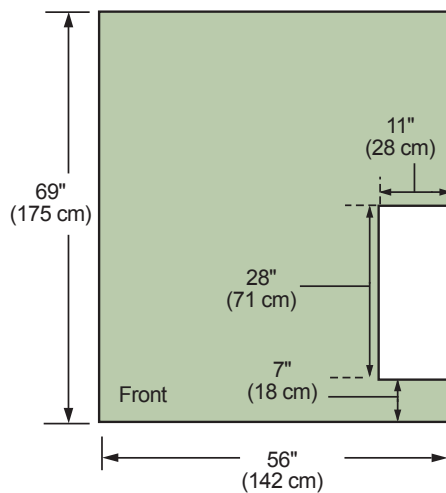
**Classic Edge 560**  
(Foundation Optional)



**Classic Edge 760**  
(Foundation Optional)



**Classic Edge 960**  
(Foundation Optional)



**CAUTION**

Do not use any combustible materials for the foundation.

**Classic Edge Measurements**

	A	B	C	D	E	F	G	H	I
<b>Classic Edge 360</b>	40.5"	72"	50.75"	43"	51.5"	69"	150"	5"	38"
<b>Classic Edge 560</b>	42.5"	76"	55.5"	45"	56"	73.5"	151"	5"	37.5"
<b>Classic Edge 760</b>	51"	84.75"	59.75"	53.5"	60.5"	79"	164"	5"	39"
<b>Classic Edge 960</b>	56"	87.5"	69"	58.5"	70"	89.5"	163"	5"	39"

- Measurement (F) is from firebox door to chimney inspection cover.
- Measurement (G) includes two 4 ft. chimney sections.



Outdoor furnace must be installed on a noncombustible surface or foundation that incorporates an enclosure that will prevent supply and return lines from possible exposure to sunlight, fire, or physical damage that may be caused by an occurrence outside the outdoor furnace enclosure. Foundation may consist of concrete, crushed rock, or patio blocks.